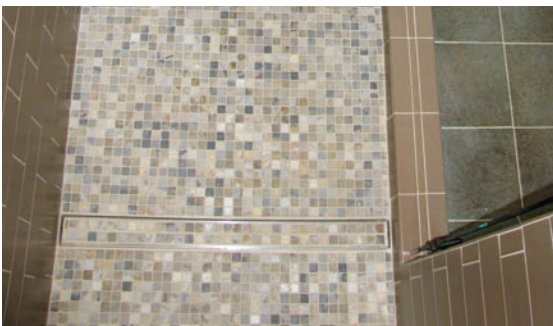
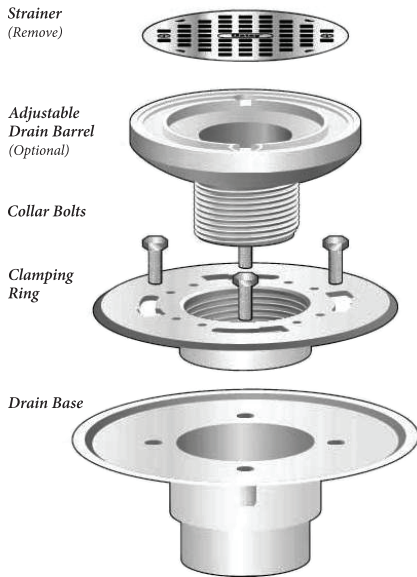




MODERN DESIGN LINEAR DRAINS

▶ Linear Drain Installation Overview

Typical Shower Drain



An exploded view of a typical shower flanged drain assembly is shown on the left for your reference. This assembly can be made from PVC, cast iron or other composite materials.

- STEP 1: Pre-slope shower pan and install waterproofing per manufacturer's instructions; any waterproofing material or procedure can be utilized (i.e. vinyl, CPE membrane, roll/paint on, metal pan, hot mop, surface sheet membrane, etc.). Perform leak test as required.
- STEP 2: LUXE Linear Drains standard channel width is 3 3/16" (85mm). Confirm rough opening is approximately 2" wider than drain length to accommodate backer board and wall tile thickness (e.g. a 38" rough opening will close to near 36" finish opening based on thicknesses of materials.)
- STEP 3: Cut any 2x4 to length for use as a linear drain placeholder; this allows for about an 1/8" (3mm) gap around the channel's perimeter to apply a bead of flexible sealant. Note: Channel depths are 1.25" (30mm) for the LUXE tile insert linear drain and 0.78" (20mm) for all other LUXE Linear Drains.
- STEP 4: Build mortar bed and install tile to create a 1-2% grade towards drain.
- STEP 5: Install tile into tile insert tray. (Tile Insert Drains only)
- STEP 6: Remove 2x4, clean out void and install LUXE Linear Drain channel as you would any tile building up and supporting as necessary with mortar. Ensure drain channel is level and just slightly below (1/16" or less) adjacent tile.
- STEP 7: Line perimeter of linear drain channel with a color-matched flexible waterproof sealant; this will allow the stainless steel to expand and contract without cracking the grout or tiles.

LUXE INSTALLATION ADVANTAGES AND BENEFITS:

- LUXE drains install independent of any waterproofing method, material or procedure.
- All LUXE drains fit atop any standard clampdown floor drains of any construction, PVC, ABS, cast iron, etc. Remove threaded strainer assembly and replace with your LUXE Linear Drain. Installs into tile bed just like tile.
- LUXE Linear Drain outlet sets uncoupled into the drain body providing a path for moisture to pass from the tile bed down and out the drain which will preserve the quality and longevity of your tile installation. (This serves the same purpose as the weep holes in the drain body.)
- Tiling installation and daily construction progress is not delayed by waiting for your standard or custom fabricated LUXE Linear Drain.
- A single slope floor is simpler and provides for use of curbless entry designs and large format floor tiles.

*** Ensure compliance with all local codes and requirements ***