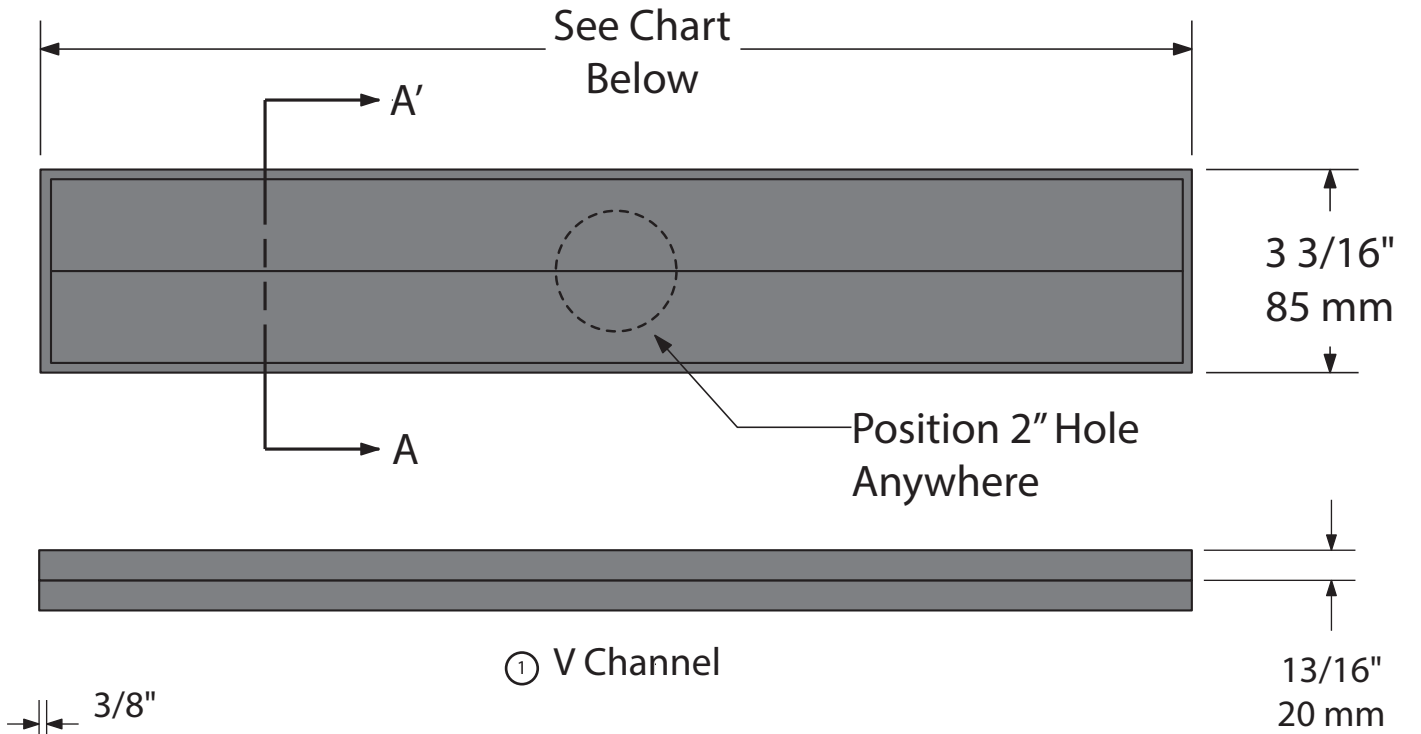




MODERN DESIGN LINEAR DRAINS

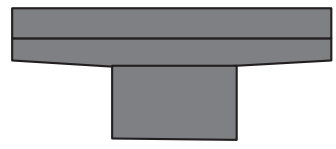
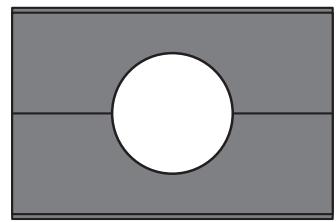
P.O. Box 8064, Atlanta, GA 31106  
 p: 877.398.8110 f: 877.388.1239  
 e: support@luxlineardrains.com  
 www.lineardrains.com

▶ Modular "V" Channel

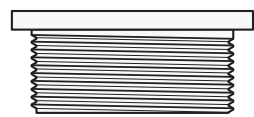


Section A-A'

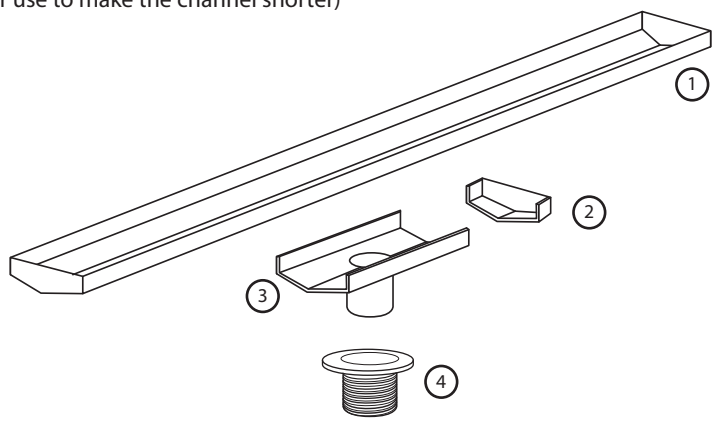
② End Cap  
 (For use to make the channel shorter)



③ 2" Outlet  
 (Position under 2" Hole)



④ 2" NPT  
 Threaded  
 Coupling



Standard Linear Drain Lengths

Length (Inches)	48"
Part No.	MODV-48-WW