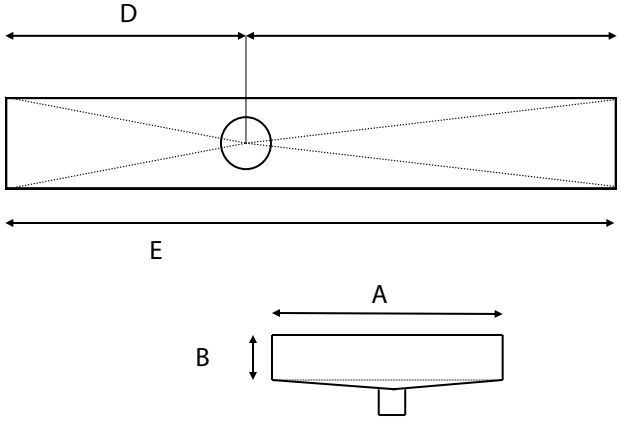




LUXE Linear Drains  
 PO Box 8064  
 Atlanta, GA 31106  
 www.lineardrains.com

Work Order \_\_\_\_\_

# LUXE Channels & Grates



A Channel Width	B Depth	C Outlet Di- am.	D Position of Outlet	E Overall Length
Std 3.35 "	Std 7/8 "	Std 2"		

Notes: Tile Insert channel depth (B) = 1.25" (30mm)

Grate Type (Top):

Squares

Wedgewire

Tile

Grate Only

Other

Dimensions in inches (mm)

Standard Lengths (Dimension E)  
 26" 30" 36" 40" 48" 60"

Name: \_\_\_\_\_ Date: \_\_\_\_\_

Signed: \_\_\_\_\_

For further information please contact: (877) 398 -8110

Qty	Length	Description	Price

Confirmation of your order number \_\_\_\_\_ Date \_\_\_\_\_