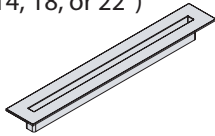


# LINEAR DRAINS

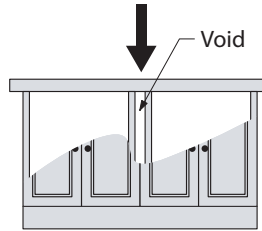
## ▶ Stainless Steel Knife Slot Instructions

1. Choose the appropriate length knife slot to install. (14, 18, or 22")

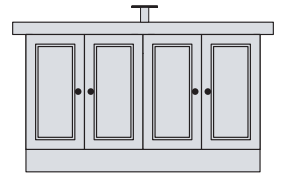


2. Locate the best countertop location for the knife slot.

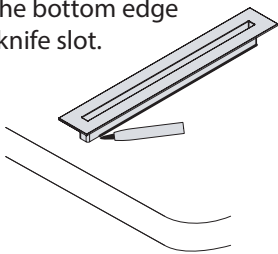
**Note:** The ideal position for knife slots is to place them above cabinet carcass (void) sections.



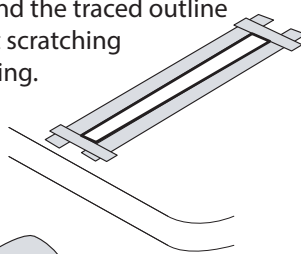
3. Position the knife slot and make sure it is square and aligned.



4. Trace the bottom edge of the knife slot.

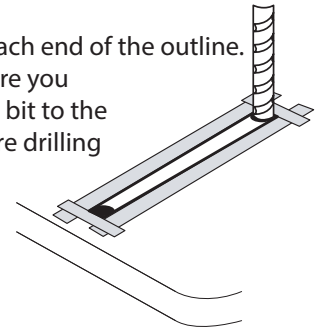


5. Tape around the traced outline to prevent scratching and chipping.



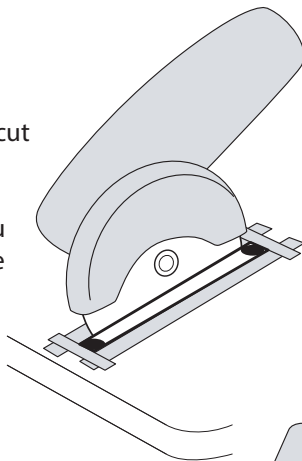
6. Drill holes at each end of the outline.

**Note:** Make sure you match the drill bit to the material you are drilling through.

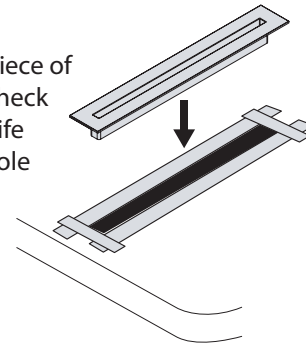


7. Use a power saw to cut the remain lines left from the outline.

**Note:** Make sure you match the saw blade to the material you are cutting.



8. Remove the cut piece of countertop and check to see that the knife slot fits into the hole.



9. Remove the tape and clean the surface of the counter top. Apply a waterproof sealant around the edge of the hole.



10. Glue the knife slot into position and enjoy your uncluttered countertop.

